

BACKLIGHTING CAMBRIA - ASPECT LED

TECHNICAL GUIDELINE



This document outlines how to properly use Aspect LED panels to backlight Cambria quartz surfaces.

1. Color temperature of a light source impacts the surface tone of backlit Cambria. Aspect LED offers backlight panels in both cool and warm temperatures. Backlit Cambria tends to warm transmitted light. Because of this, Cambria recommends a color temperature of 6,500 K.

NOTE: This excludes RGB panels, which have variable color temperature.

2. Standard Aspect LED panels do not output sufficient light to backlight Cambria. Cambria requires a custom-made Aspect panel with 4" spacing between light channels. Contact Aspect LED for further information.
3. Standard Aspect LED panels leave a dark halo around pieces with mitered drops. **See Figure 1.** There are custom options available to remove this halo. Contact Aspect LED customer service to explore these options.
 - a. To contact Aspect LED, please call 888-503-1317, email sales@aspectled.com, or visit aspectled.com.



Figure 1

4. Depending on the style of the cabinet, additional buildup must be added to provide a minimum of 1/8" from the bottom of the miter to the top of the cabinet drawer. Additional buildup and/or a thicker substrate can be used to achieve this. The illustrations below show cross sectional views of Aspect LED mounting on two different styles of cabinets.
 - a. **EXAMPLE ONE:** **Figure 2** illustrates a case in which the Aspect LED panel can be placed directly onto the top of the countertop.

Confidential and Proprietary. This document and the information contained herein is confidential and proprietary to Cambria Company LLC ("Cambria"). It may not be copied, reproduced, modified, made available, or disclosed without Cambria's prior written consent. Cambria assumes no responsibility, wholly or partly, for any of the design, safety, or workmanship of any installation and/or fabrication.



BACKLIGHTING CAMBRIA - ASPECT LED

TECHNICAL GUIDELINE

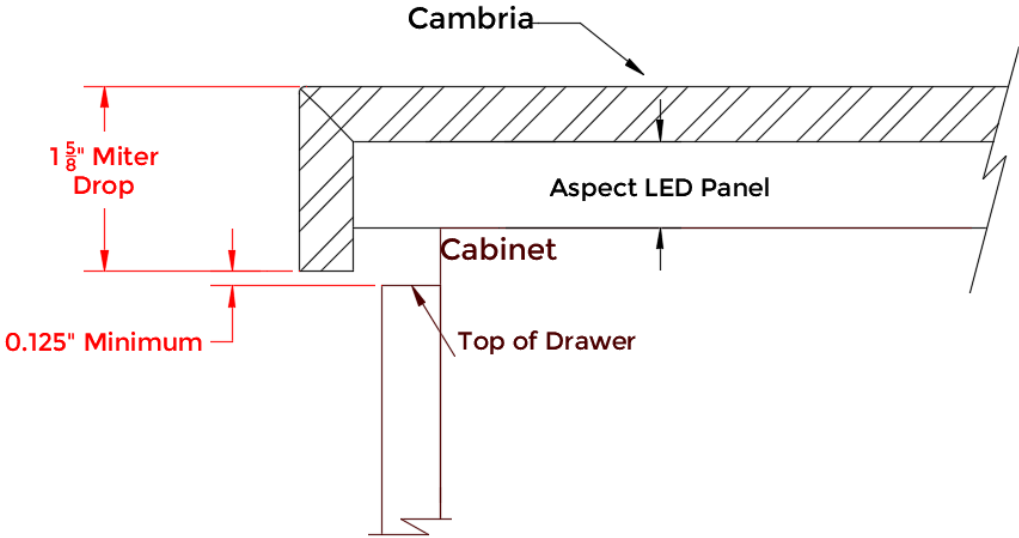


Figure 2

- b. **EXAMPLE TWO:** Figure 3 illustrates a case in which additional buildup is needed beneath the Aspect LED panel to achieve proper drawer spacing.

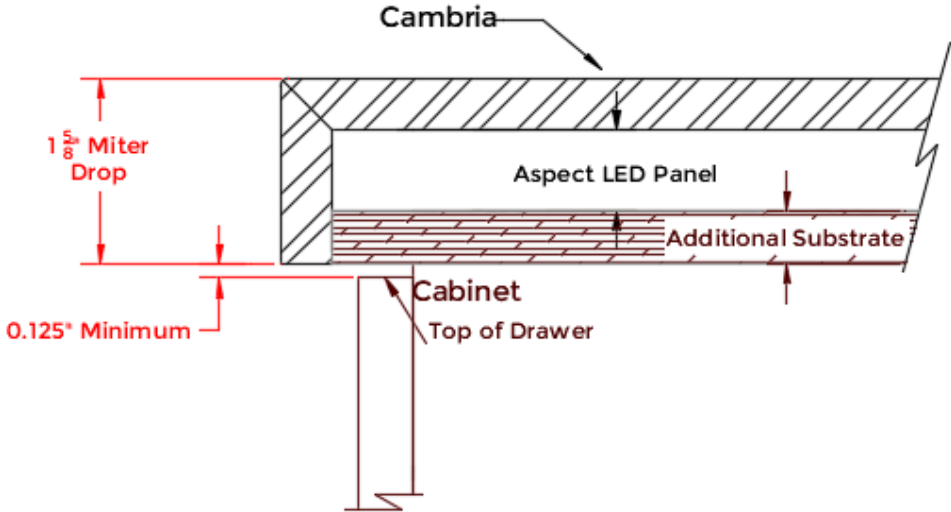


Figure 3

Confidential and Proprietary. This document and the information contained herein is confidential and proprietary to Cambria Company LLC ("Cambria"). It may not be copied, reproduced, modified, made available, or disclosed without Cambria's prior written consent. Cambria assumes no responsibility, wholly or partly, for any of the design, safety, or workmanship of any installation and/or fabrication.

BACKLIGHTING CAMBRIA - ASPECT LED

TECHNICAL GUIDELINE



5. Aspect LED lighting systems must be installed so that the surface is flat and on-plane to properly support the Cambria surfacing. Refer to SOP 9.3.3 Installation and Support Guidelines for Cambria for proper installation of Cambria surfacing.
6. A beauty bead of silicone must be applied once Cambria is installed onto the Aspect LED panel. Beauty bead is placed between the backside of the Cambria and Aspect LED panel edge (this edge does not transmit light through the Cambria).

NOTE: Do not apply adhesive or silicone to the back of backlit Cambria. Doing this could cause a light hot spot and ruin the aesthetics of the installation.

Confidential and Proprietary. This document and the information contained herein is confidential and proprietary to Cambria Company LLC ("Cambria"). It may not be copied, reproduced, modified, made available, or disclosed without Cambria's prior written consent. Cambria assumes no responsibility, wholly or partly, for any of the design, safety, or workmanship of any installation and/or fabrication.