



CAMBRIA®

# FIREPLACE APPLICATIONS

## TECHNICAL GUIDELINE



Cambria has been successfully installed in fireplace applications when installed per the guidelines and techniques below and the fireplace manufacturer's instructions and requirements for surface finishes.

Cambria\* surface product tested in accordance with **ASTM E-84**, Standard Test Method for Surface Burning Characteristics of Building Materials, and classified as **Class A** on the Flame Spread and Smoke Developed

**Confidential and Proprietary.** This document and the information contained herein is confidential and proprietary to Cambria Company LLC ("Cambria"). It may not be copied, reproduced, modified, made available, or disclosed without Cambria's prior written consent. Cambria assumes no responsibility, wholly or partly, for any of the design, safety, or workmanship of any installation and/or fabrication.





# FIREPLACE APPLICATIONS

## TECHNICAL GUIDELINE

| CLASSIFICATION | FLAME SPREAD INDEX | SMOKE DEVELOPED INDEX |
|----------------|--------------------|-----------------------|
| A              | 0 - 25             | 0 - 450               |
| B              | 26 - 75            | 0 - 450               |
| C              | 76 - 200           | 0 - 450               |

Figure 1

**ASTM E-84 ratings and equivalents are not implied as nor to be construed as combustibility data.** For a more complete understanding of this method, refer to ASTM E-84 Standard Test Method for Surface Burning Characteristics of Building Materials, current version.

Guidelines For Fireplace Applications:

1. Natural stone surfaces, especially near the edges, can be damaged by sudden and/or rapid temperature changes, as well as by direct and/or sustained heating of the top surface. Cambria may not withstand direct transfer of heat.
2. Cambria must be installed in applications, including but not limited to fireplaces, so the heat does not transfer to the Cambria surface.
3. Check building code requirements for all applications to verify all requirements for building materials and surface finishes are met.
4. Cambria should NEVER be installed up against, on or over the actual firebox as it may cause failure and result in damage due to direct and/or sustained heating of Cambria.
5. When Cambria is used for applications with a unit that emits extreme heat, Cambria must be installed as a combustible material under the manufacturer’s guidelines.
6. Follow all fireplace manufacturer requirements and instructions. Typically fireplace inserts come with specifications for such requirements that specify a facing or trim that an acceptable surface finish may be installed up to.
7. Fireplaces must be installed per fireplace manufacturer’s requirements so the Cambria product is not exposed to direct or indirect heat transfer from the fireplace during use.

**Confidential and Proprietary.** This document and the information contained herein is confidential and proprietary to Cambria Company LLC (“Cambria”). It may not be copied, reproduced, modified, made available, or disclosed without Cambria’s prior written consent. Cambria assumes no responsibility, wholly or partly, for any of the design, safety, or workmanship of any installation and/or fabrication.



CAMBRIA®

# FIREPLACE APPLICATIONS

## TECHNICAL GUIDELINE

- a. Cambria product must be installed so it does not interfere or restrict access to the control panel of the fireplace per manufacturer's installation requirements. **See Figure 2.**
- b. Check building code requirements for all applications to verify all requirements for building materials and surface finishes are met.

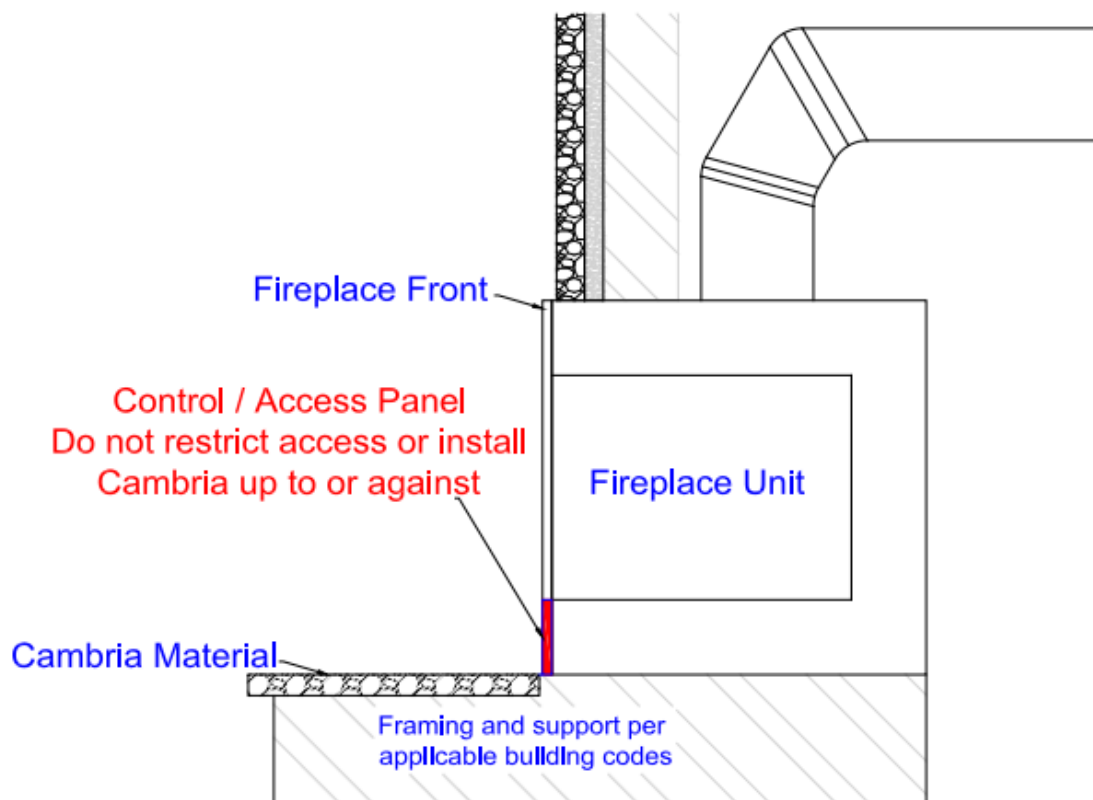


Figure 2

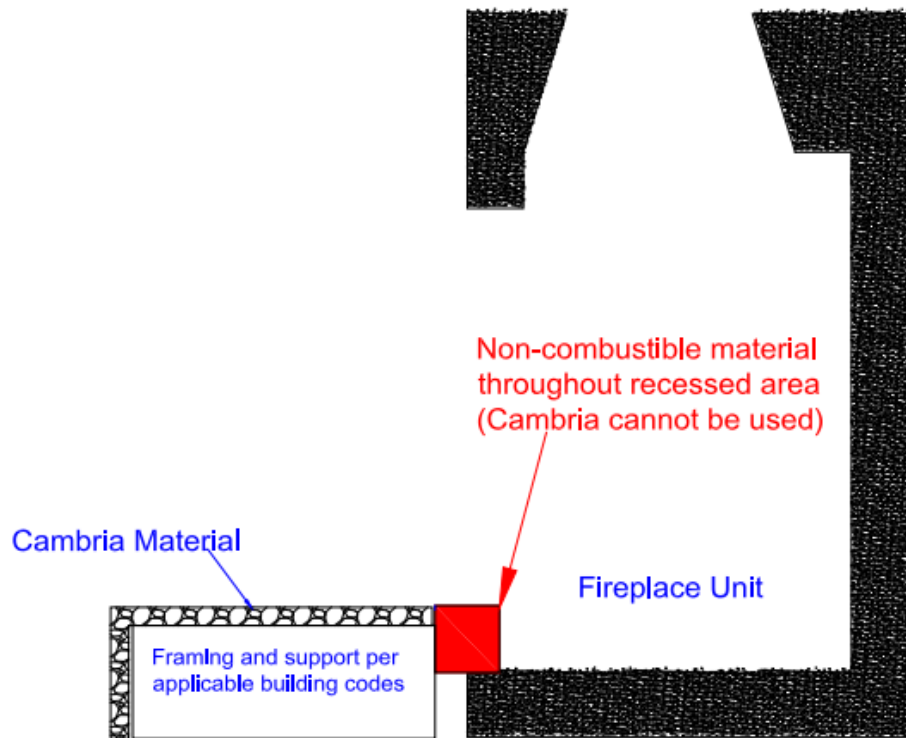
- c. If the fireplace is installed below the plane of the Cambria hearth, a different material must be used to ensure there is no direct or indirect heat transfer. The fireplace must be designed so that the polished face of the Cambria is recessed 1/8". **See Figure 3.**

**Confidential and Proprietary.** This document and the information contained herein is confidential and proprietary to Cambria Company LLC ("Cambria"). It may not be copied, reproduced, modified, made available, or disclosed without Cambria's prior written consent. Cambria assumes no responsibility, wholly or partly, for any of the design, safety, or workmanship of any installation and/or fabrication.



# FIREPLACE APPLICATIONS

## TECHNICAL GUIDELINE



**Figure 3**

### Fireplace Installation Techniques:

8. The Fireplace framing must be constructed per the fireplace manufacturer's installation requirements and instructions.
9. Fireplace framing must be designed and installed so the polished surface of the Cambria is recessed from the finished face of the fireplace opening a minimum of 1/8". **See Figure 4.**
10. The bottom backside of the Cambria surface product must always be permanently adhered to the non-combustible material so there is no air gap between the backside of the Cambria and front face of the non-combustible material. **See Figure 4.**

**Confidential and Proprietary.** This document and the information contained herein is confidential and proprietary to Cambria Company LLC ("Cambria"). It may not be copied, reproduced, modified, made available, or disclosed without Cambria's prior written consent. Cambria assumes no responsibility, wholly or partly, for any of the design, safety, or workmanship of any installation and/or fabrication.



# FIREPLACE APPLICATIONS

## TECHNICAL GUIDELINE

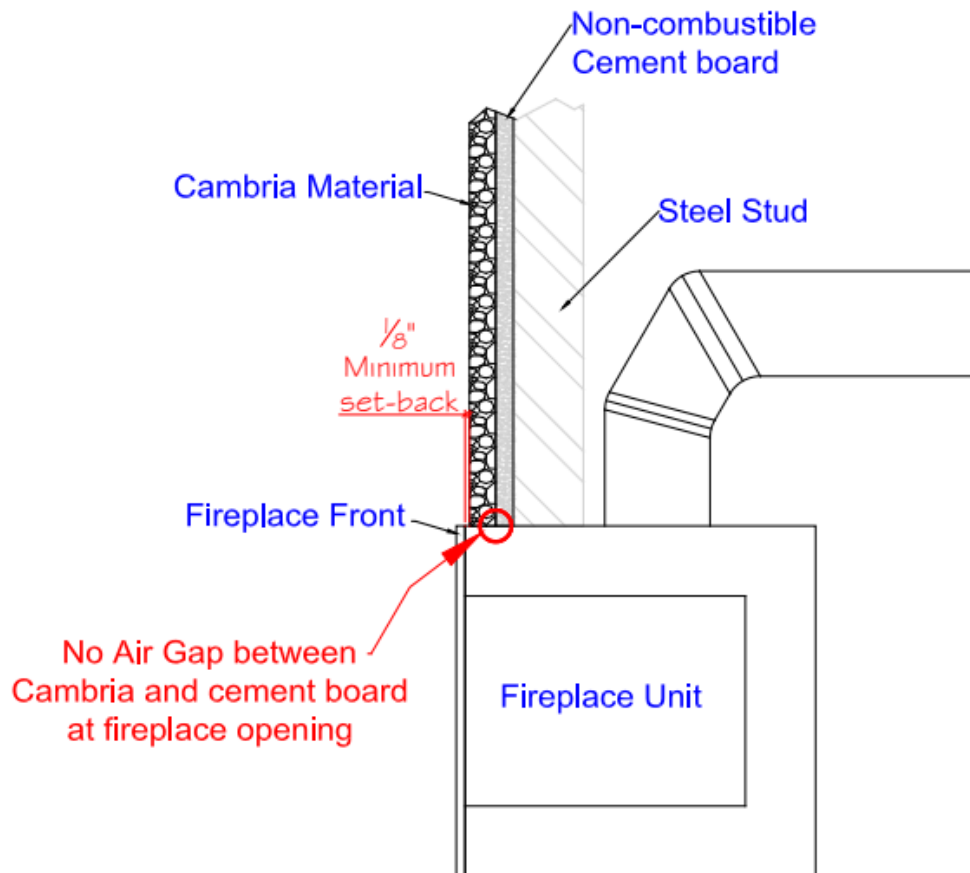


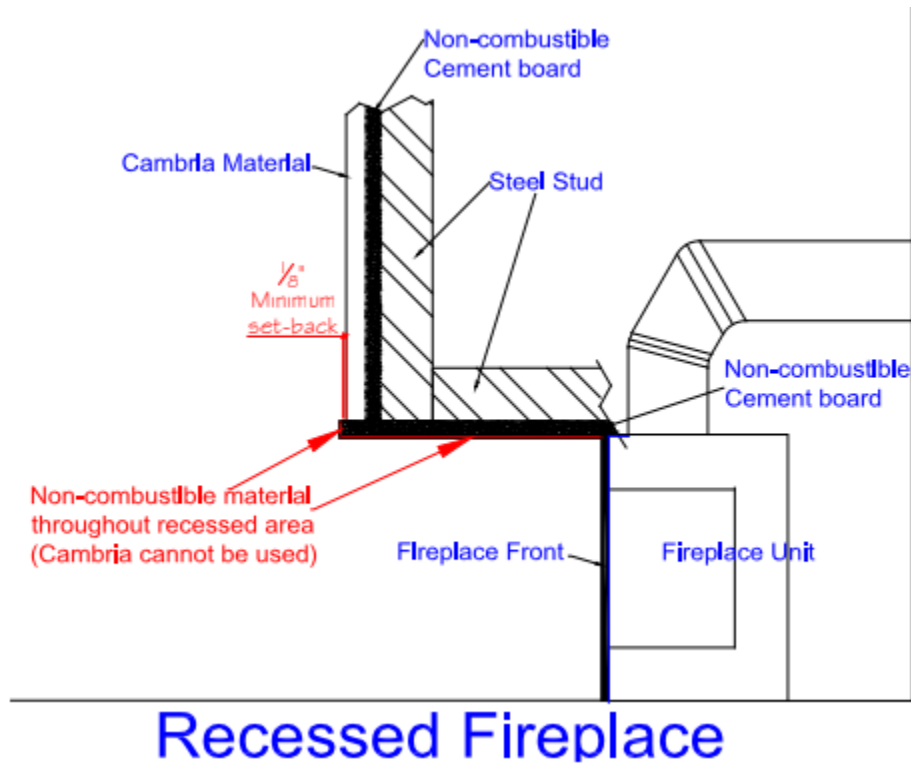
Figure 4

11. When a recessed fireplace is used, the recess must be constructed from non-combustible materials – NOT Cambria. The space between the outside framing edge and the firebox must be completely free of any obstruction or debris and the window, with trim fitted, must be able to move freely. No building material is permitted to protrude past the framing edges attached to the fireplace under ANY circumstance. **See Figure 5.**

**Confidential and Proprietary.** This document and the information contained herein is confidential and proprietary to Cambria Company LLC ("Cambria"). It may not be copied, reproduced, modified, made available, or disclosed without Cambria's prior written consent. Cambria assumes no responsibility, wholly or partly, for any of the design, safety, or workmanship of any installation and/or fabrication.

# FIREPLACE APPLICATIONS

## TECHNICAL GUIDELINE



**Figure 5**

12. Fireplace mantels and hearths must be installed per fireplace manufacturer's recommendations so the Cambria product is not exposed to direct or indirect heat transfer from the fireplace during use.
13. Cambria product cannot be constructed and installed as a singular piece surrounding the fireplace opening.
14. Cambria product installed adjacent to the four (4) sides of the fireplace opening must be independent pieces with vertical seams coming off each corner. **See Figure 6.**

**Confidential and Proprietary.** This document and the information contained herein is confidential and proprietary to Cambria Company LLC ("Cambria"). It may not be copied, reproduced, modified, made available, or disclosed without Cambria's prior written consent. Cambria assumes no responsibility, wholly or partly, for any of the design, safety, or workmanship of any installation and/or fabrication.



CAMBRIA®

# FIREPLACE APPLICATIONS

## TECHNICAL GUIDELINE

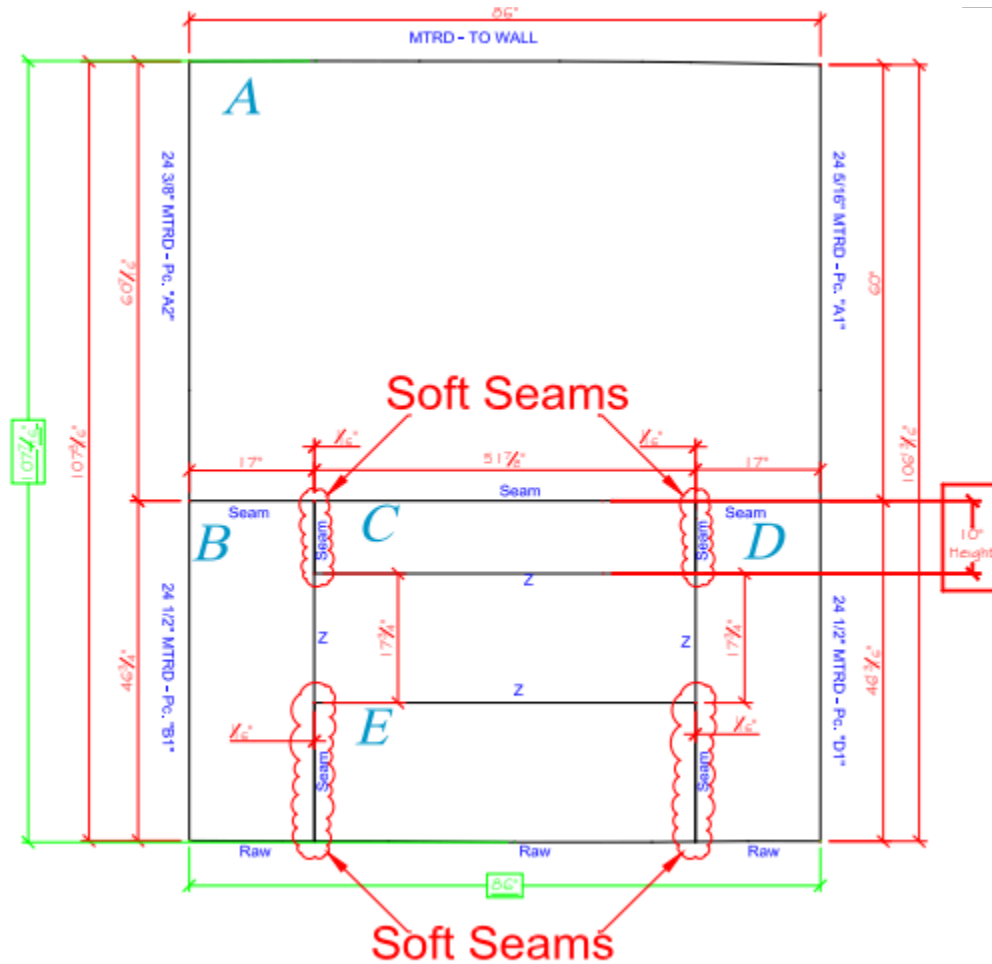


Figure 6

- The vertical soft seams must be a minimum of 1/16" wide and filled with a color matched silicone or flexible adhesive approved for extreme heat applications.

**NOTE:** Soft seams larger than 1/16" require the approval of all parties (End User, Contractor, Designer, Installer, etc.)

**Confidential and Proprietary.** This document and the information contained herein is confidential and proprietary to Cambria Company LLC ("Cambria"). It may not be copied, reproduced, modified, made available, or disclosed without Cambria's prior written consent. Cambria assumes no responsibility, wholly or partly, for any of the design, safety, or workmanship of any installation and/or fabrication.



**FAMILY OWNED  
AMERICAN MADE**



# FIREPLACE APPLICATIONS

## TECHNICAL GUIDELINE

**NOTE:** The framing materials (cement board, steel, and wood studs) will change in size as a result of thermal expansion and contraction. This may result in the Cambria seaming pieces not being in the same plane during and after the fireplace is used.

**NOTE:** Use denatured alcohol immediately to remove any excess silicone after installation.

- 16. The keystone piece of Cambria directly above the fireplace opening must be at least 10" in height and no longer than the opening of the fireplace. **See Figure 6.**
  - a. The height of the keystone piece may be less than the 10" requirement when a mantel is incorporated into the finished fireplace. **See Figure 7.**
  - b. The mantel must be installed following the fireplace place manufacturer's requirements.

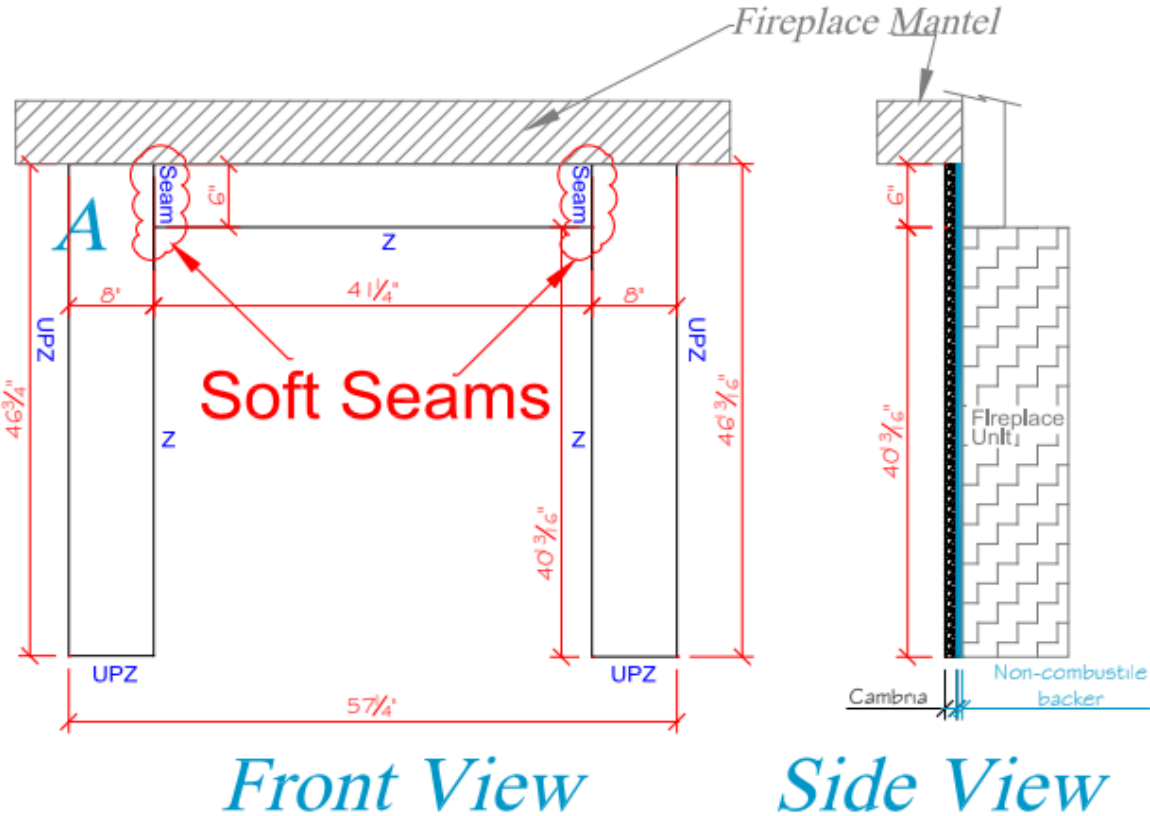


Figure 7

**Confidential and Proprietary.** This document and the information contained herein is confidential and proprietary to Cambria Company LLC ("Cambria"). It may not be copied, reproduced, modified, made available, or disclosed without Cambria's prior written consent. Cambria assumes no responsibility, wholly or partly, for any of the design, safety, or workmanship of any installation and/or fabrication.





CAMBRIA®

# FIREPLACE APPLICATIONS

## TECHNICAL GUIDELINE

### Design Considerations for Seams

17. Additional soft seams may also be incorporated into the fireplace application to replace any existing adhesive seams, for visual symmetry or to allow for any anticipated movement of the fireplace application while in use. **See Figure 6.**
18. The edge of the seam of adjoining pieces can have a polished eased edge applied to create a "V-Groove" to further accent the seam or as a design aesthetic for the installed Cambria product. **See Figure 8.**

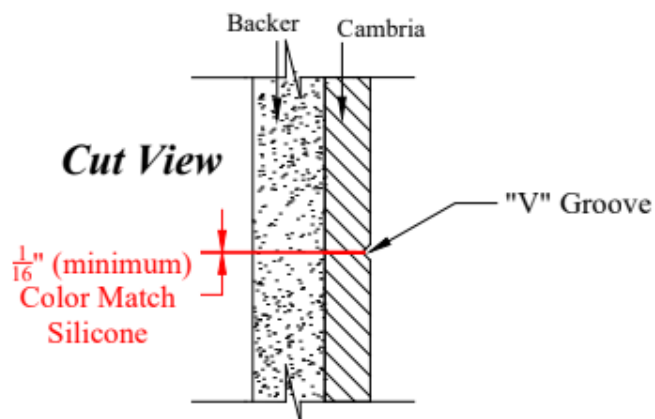


Figure 8

**Confidential and Proprietary.** This document and the information contained herein is confidential and proprietary to Cambria Company LLC ("Cambria"). It may not be copied, reproduced, modified, made available, or disclosed without Cambria's prior written consent. Cambria assumes no responsibility, wholly or partly, for any of the design, safety, or workmanship of any installation and/or fabrication.

